

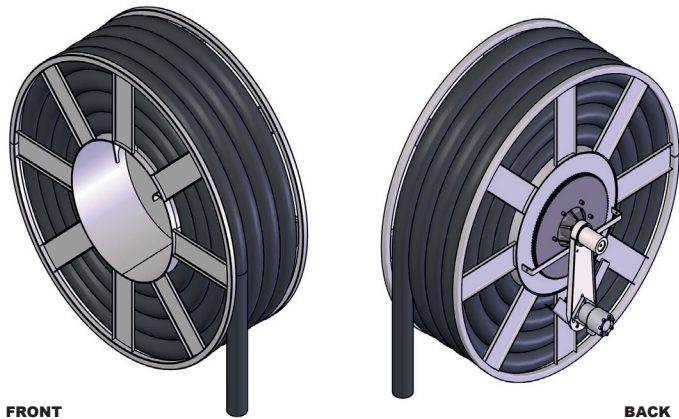


TECHNICAL SHEET



**REAR DOOR
SUCTION HOSE REELS**

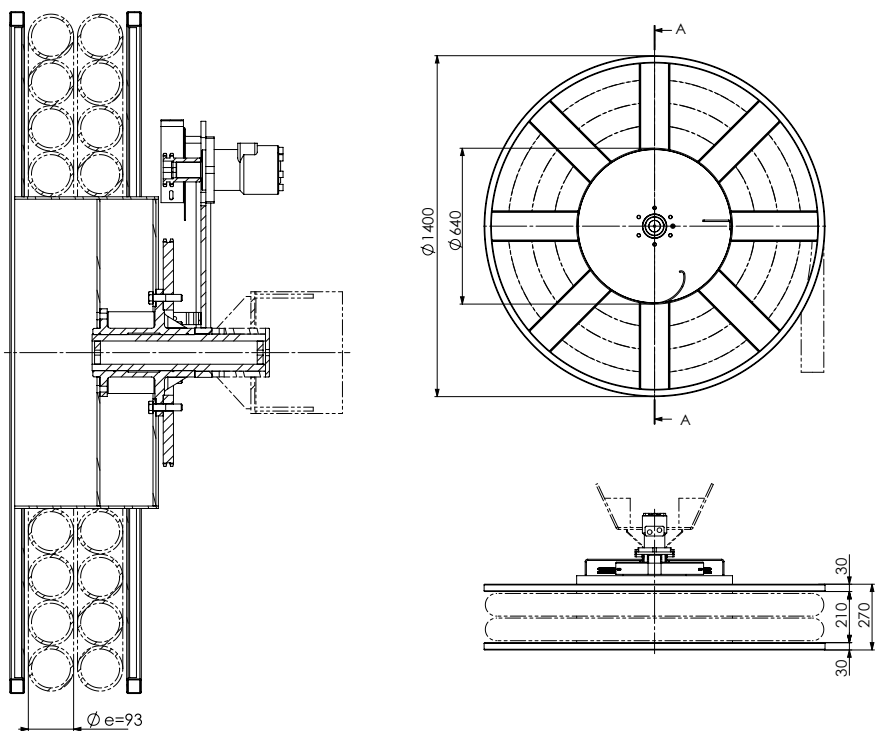
Description



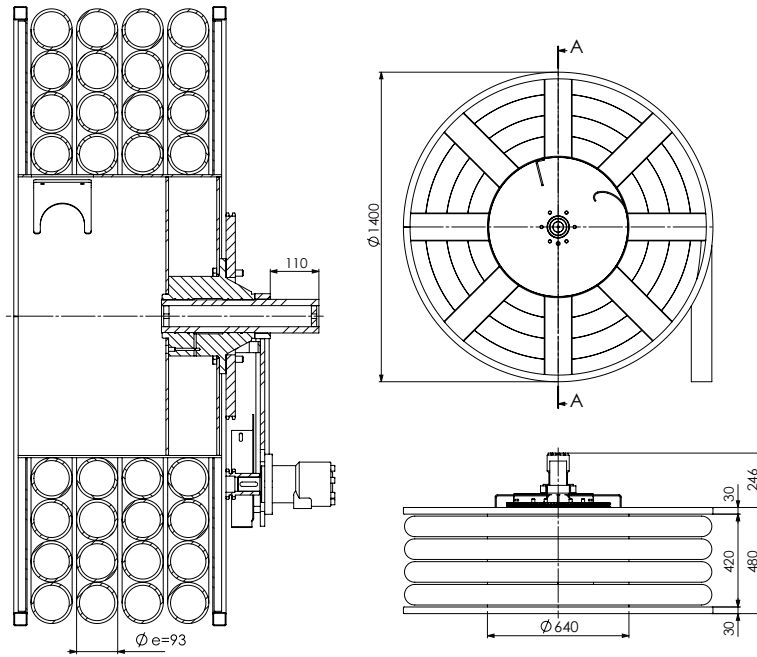
This product is the result of many years' experience and researches to help in the daily job. It is a fixed hose reel that allows the operator to drive the hose very fast to the suction point, with a hydraulic motor. A distributor allows to control the system safely and regulate the winding/unwinding speed.

Dimensions

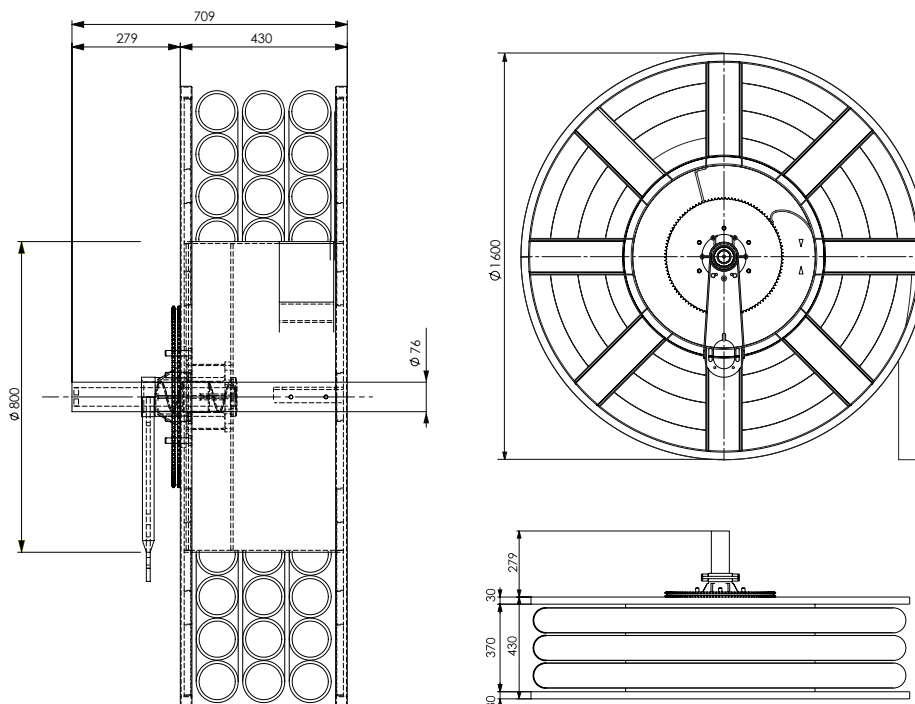
3" STAINLESS STEEL REAR DOOR SUCTION HOSE REEL - 25 mt



3" STAINLESS STEEL REAR DOOR SUCTION HOSE REEL - 50 mt



4" STAINLESS STEEL - REAR DOOR SUCTION HOSE REEL - 30 mt



Technical data

parameter	value
Max hydraulic motor oil flowrate	25 l/min
Hose diameter / length	25-50 m (3"-Ø80) / 30 m (4"-Ø100)
Weight	150 kg (3") 170 kg (4")
Minimum tank diameter suggested	Ø 1700
Maximum distributor pressure	80 bar / 1160 psi

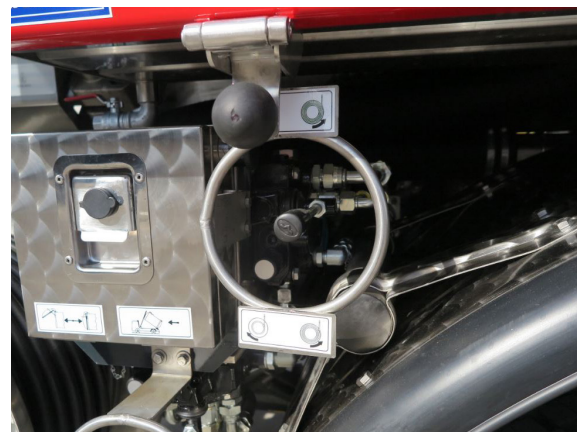
Main features

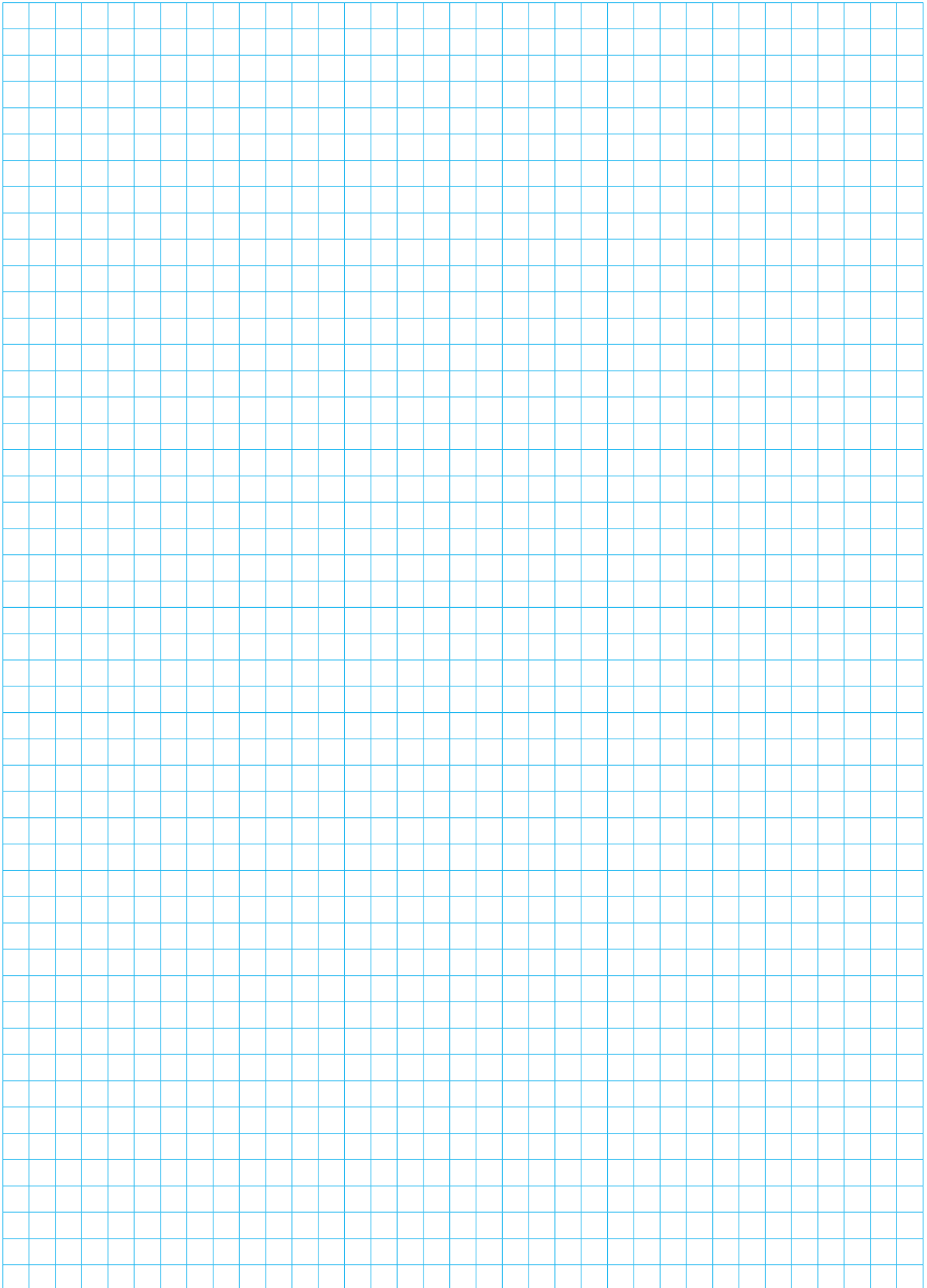
- 3"-Ø80 / 4"-Ø100 hose (hose not included)
- Max hose length 50 m (3"-Ø80) / 30 m (4"-Ø100)
- Hydraulic motor and flow regulator hydraulic distributor

Versions

code	description
6.811102680-1	25 mt 3" Stainless steel rear door suction hose reel without hose
6.811102460-1	50 mt 3" Stainless steel rear door suction hose reel without hose
6.811102710-1	30 mt 4" Stainless steel rear door suction hose reel without hose

Examples of application







MORO KAISER **COMPONENTS**

MORO KAISER S.R.L.

Via Pontebbana, 16
33080 FIUME VENETO (PN) ITALY

Tel. 0434 951.211

Fax: 0434 957.786

infomoro@morokaiser.it