

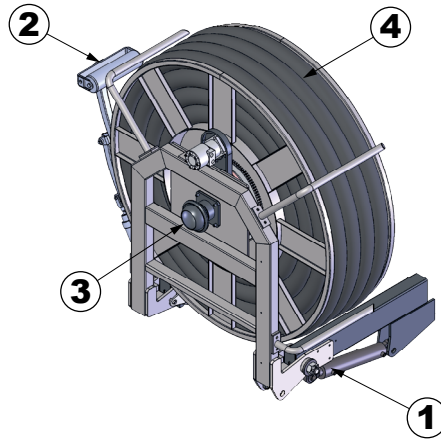


**TECHNICAL SHEET**



**TILTING REAR DOOR  
SUCTION HOSE REELS**

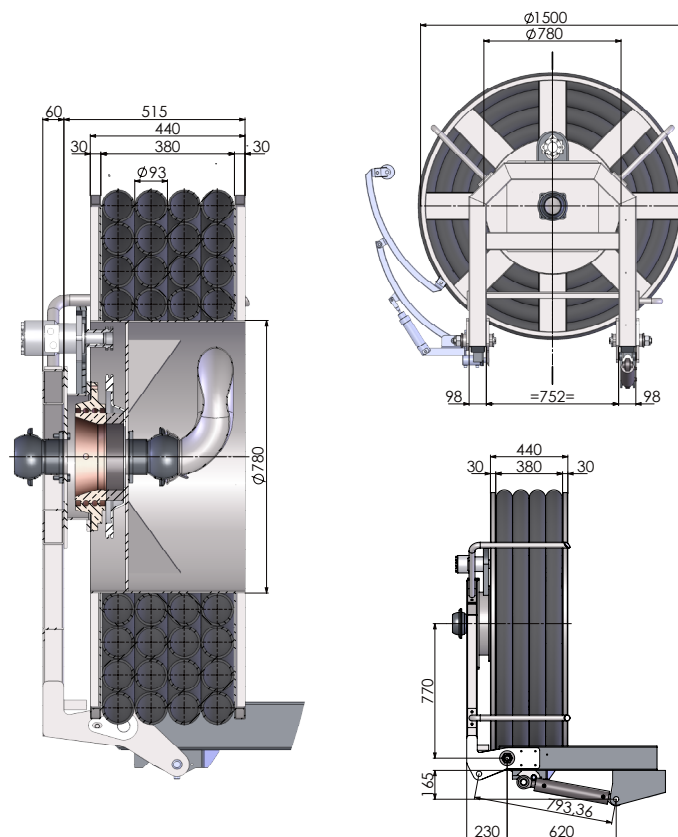
## Description

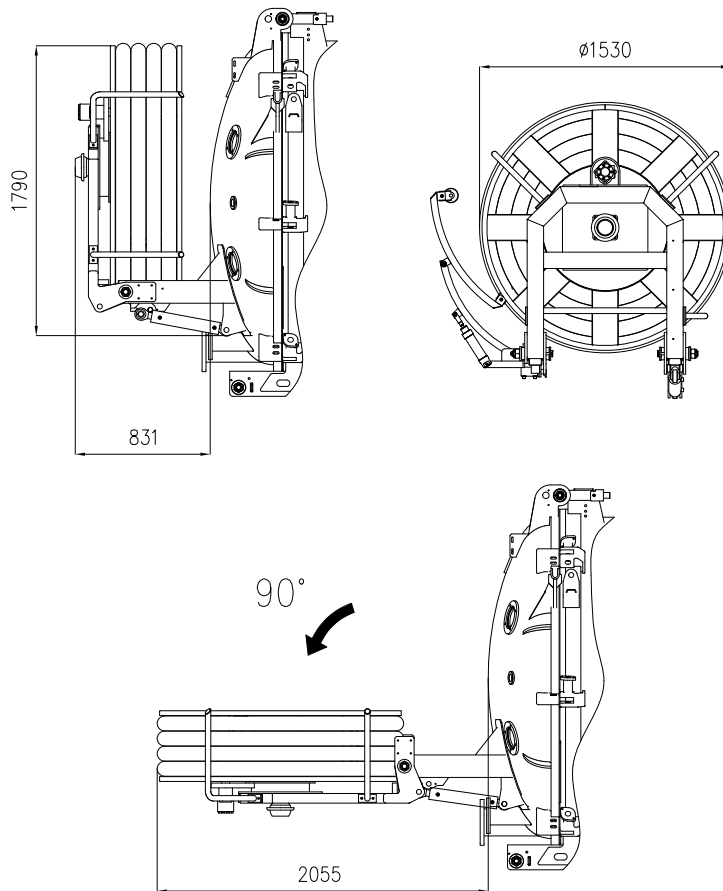


Tilting suction hose reel made of stainless steel, applied in the rear part of the tank. Hydraulic 90° tipping device (1) that facilitates the suction operations for heavier material. Hydraulically operated rotation. Pneumatic hose press device (2) that facilitates the winding and unwinding operations. Hydraulic controls for hose reel rotation and tipping, located in the main control box. Supplementary 4" (Ø 100) pneumatically operated filling valve (3). For tanks in stainless steel. This suction hose reel model can contain the following sizes of suction hose (4): 45 metres of Ø 80 mm suction hose, or 30 metres of Ø 100 mm suction hose. The advantages of this solution are less time for preparing the suction line and easier use that makes operations less difficult for the operator.

## Dimensions

**3" - 4" tilting rear door suction hose reel**





## Technical data

parameter	value
Hydraulic oil flowrate	25 l/min
Hose diameter / length	45 m (3"-Ø80) / 30 m (4"-Ø100)
Weight	350 kg (3") 430 kg (4")
Minimum tank diameter suggested	Ø 1700

## Main features



- Hydraulic 90° tilting hose reel
- 3"-Ø80 / 4"-Ø100 hose (hose not included)
- Max hose length 45 m (3"-Ø80) / 30 m (4"-Ø100)
- Hydraulic motor and distributor
- Pneumatic hose press device
- Controls for hose reel rotation and tipping, located in the main control box

- Stainless steel for tanks in stainless steel
- Supplementary 4" pneumatically operated filling valve

### Versions

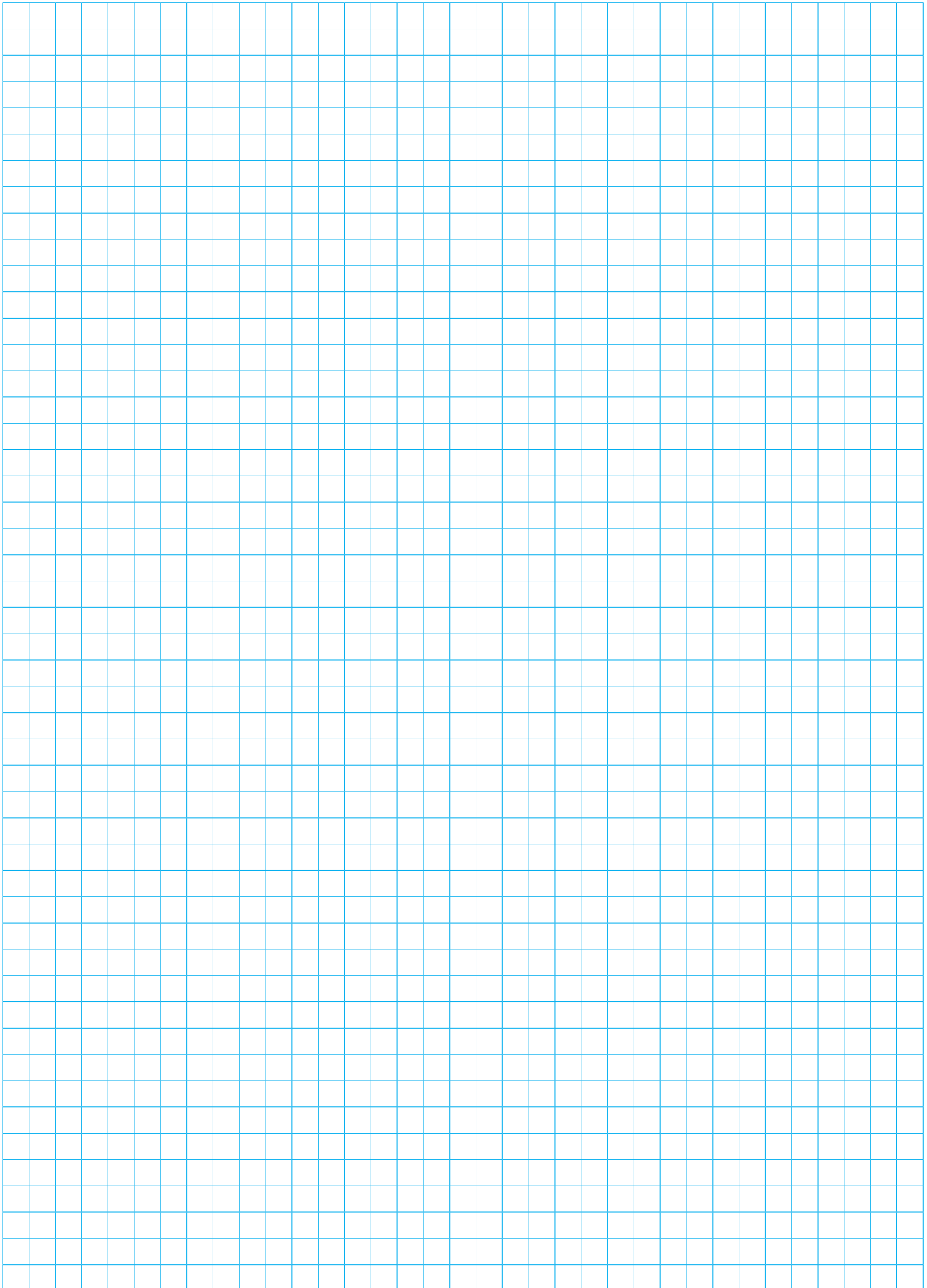
code	description
6.860002820-2	45 mt 3" Carbon steel tilting rear door suction hose reel without hose
6.860002811-2	45 mt 3" S. steel tilting rear door suction hose reel without hose
6.1019212-3-2C	30 mt 4" Carbon steel tilting rear door suction hose reel without hose
6.1034117-8-2	30 mt 4" S. steel tilting rear door suction hose reel without hose

### Accessories

code	description	picture
42712100004	Rear folding hose guide	
42713100008	Hose lock	

### Examples of application







# **MORO KAISER** **COMPONENTS**

**MORO KAISER S.R.L.**

Via Pontebbana, 16  
33080 FIUME VENETO (PN) ITALY

Tel. 0434 951.211

Fax: 0434 957.786

[infomoro@morokaiser.it](mailto:infomoro@morokaiser.it)